

## ADL400



### General

ADL400 three phase electric meter is designed for three phase energy measurement on low voltage system. The meter meets the related technical requirements of electronic meter in the IEC62053-21, IEC62053-22 standards.

### Functions

Function	Description	Provide
Measurement of kWh	kWh (positive and negative)	■
	kvarh (positive and negative)	■
	A, B, C phase positive kWh	■
Measurement of electrical parameters	U, IP, Q, S, PF, Hz	■
Measurement of harmonics	2~31ST harmonic	■
LCD Display	12 digits	■
Key programming	3 keys	■
Pulse output	kWh	■
Data	Maximum demanded	□
	Frozen data on last 48 months, last 90 days	□
	Date, time	□
Communication	Infrared	■
	RS485, MODBUS-RTU	■

Note: (■: means standard, □: means optional)

### Parameters

#### Electric performance

Voltage	Nominal voltage	3×100V、3×380V、 3×57.7/100V、3×220/380V
	Consumption	<10VA(Single phase)
	Impedance	>2MΩ
	Accuracy	±0.2%

Current	Maximum current	80A, 6A
	Consumption	<1VA
	Accuracy	±0.2%
Frequency	range	45~65Hz
	accuracy	±0.2%
Energy accuracy	Active energy	Class 0.5s
	reactive energy	Class 2
Clock	accuracy	≤0.5s/d
Active Pulse	Width	80±20ms
	constant	1000imp/kWh, 10000imp/kWh
Communication	Interface	RS485
	Protocol	Modbus RTU

#### Working environment

Temperature	Working	-25℃~55℃
	Storing	-40℃~70℃
Humidity	≤95%(No condensation)	
Altitude	<2000m	

### Dimension drawings (Unit: mm)

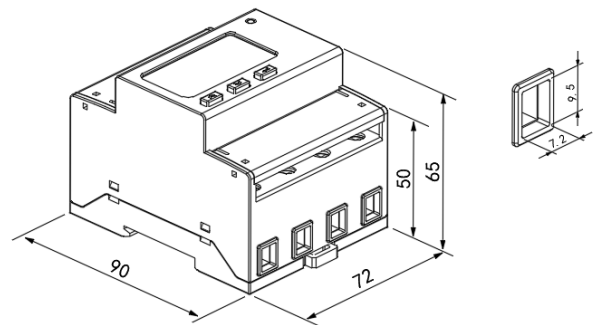


Figure 1 direct connect

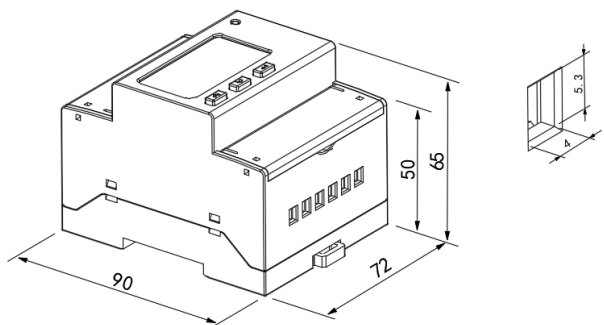


Figure 2 connect via CT

Note: The torque of direct connect should not be greater than 4.0N·m, and the torque of connect via CT should not be greater than 2.0N·m.

## Wiring and installing

### Wiring

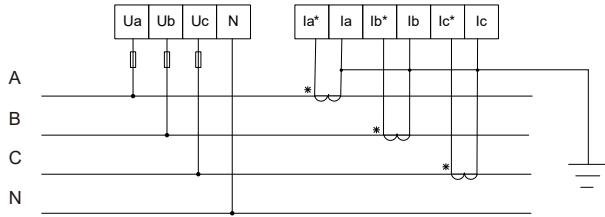


Fig 3 Three phase four lines connect via CT

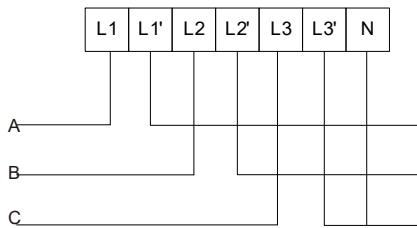


Fig 4 Three phase four lines direct connect

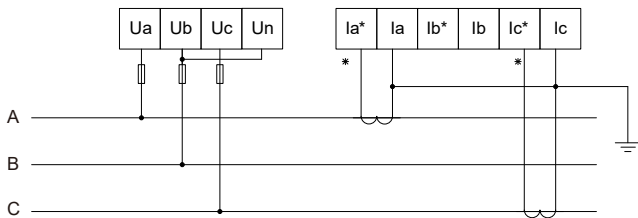


Fig 5 Three phase three lines connect via CT

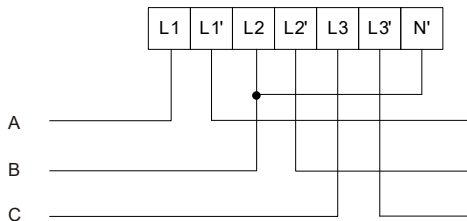


Fig6 Three phase three lines direct connect

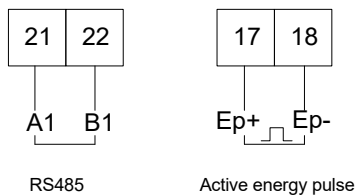


Fig 7 Communication, pulse connection

### Installing



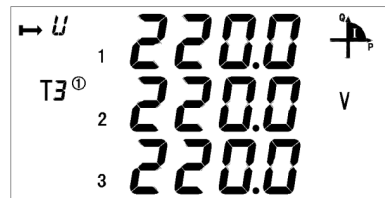
ADL400 installing

Note: DIN 35 mm rail installation.

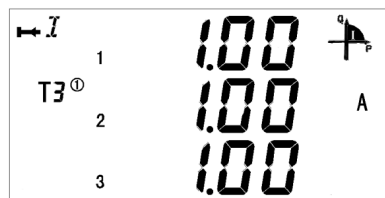
### Display examples



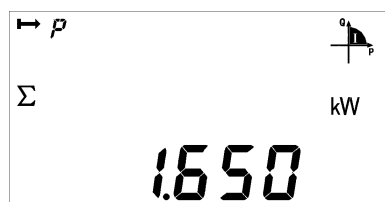
Total active energy



Voltage of three phase



Current of three phase



power